

Cod. 10016
Cod. 10017

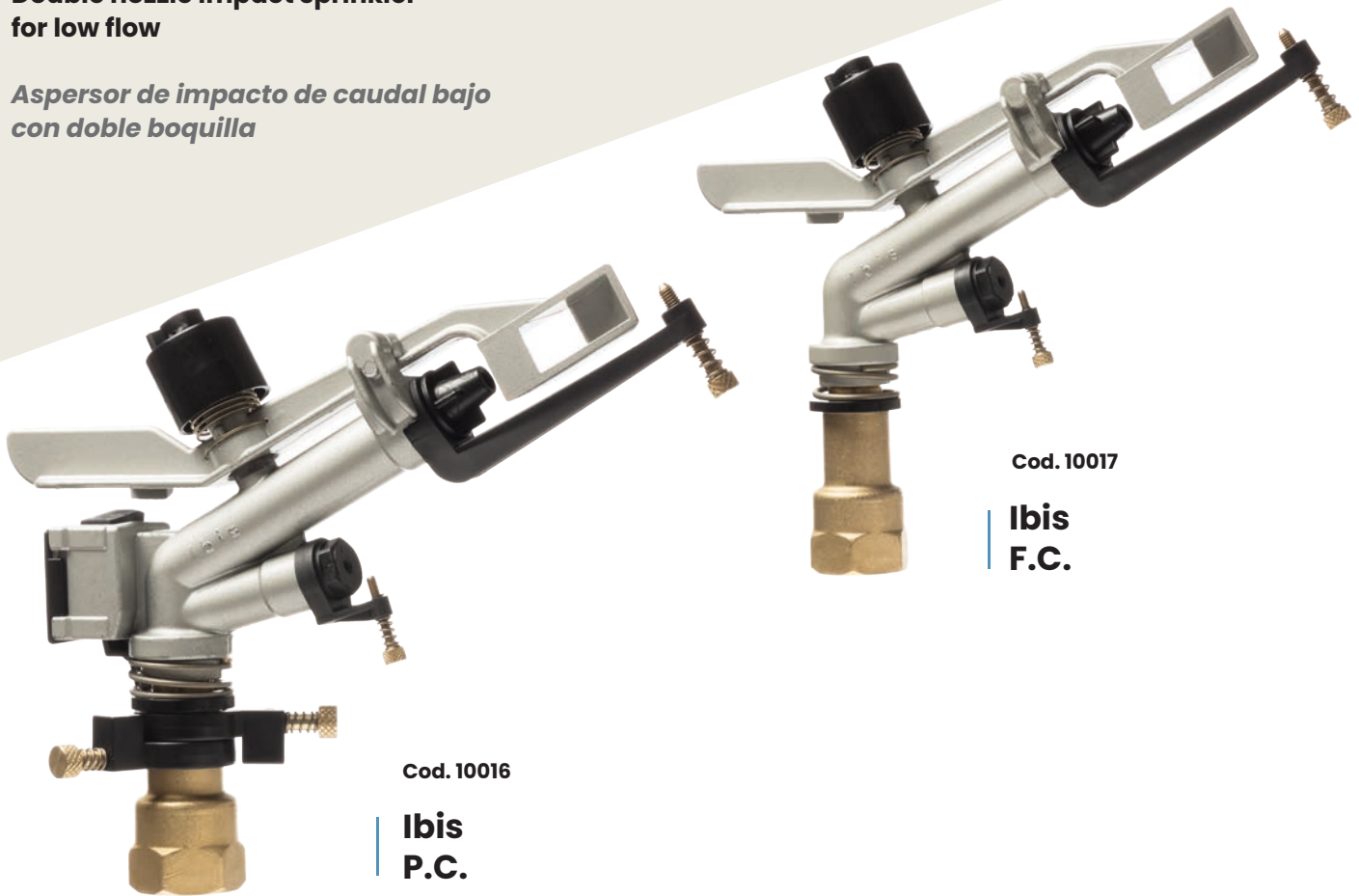
Ibis

Solid set systems
Cobertura integral



**Double nozzle impact sprinkler
for low flow**

*Aspersor de impacto de caudal bajo
con doble boquilla*



Cod. 10016

**Ibis
P.C.**

Cod. 10017

**Ibis
F.C.**

| | Net weight <i>Peso neto</i> | Connection <i>Conexión</i> | Size <i>Dimensiones</i> | Nozzle <i>Boquilla</i> | Angle <i>Ángulo</i> |
|-----|--------------------------------|-------------------------------|----------------------------|---------------------------|------------------------|
| P.C | 0,76 kg | 1" F | ø 414 mm x 216 mm | Ø 6 ÷ 10 mm | 28° |
| F.C | 0,65 kg | | | | |

Pressure *Presion*

for **US units** go to page 70

| Nozzle <i>Boquilla</i> | 1,5 bar | | 2 bar | | 3 bar | | 4 bar | | 5 bar | |
|---------------------------|--------------------------------|-------------------------------|--------------------------------|-------------------------------|--------------------------------|-------------------------------|--------------------------------|-------------------------------|--------------------------------|-------------------------------|
| | Flow <i>Caudal</i> l/min | Radius <i>Alcance</i> m | Flow <i>Caudal</i> l/min | Radius <i>Alcance</i> m | Flow <i>Caudal</i> l/min | Radius <i>Alcance</i> m | Flow <i>Caudal</i> l/min | Radius <i>Alcance</i> m | Flow <i>Caudal</i> l/min | Radius <i>Alcance</i> m |
| 4 mm - 6 mm | 40 | 13 | 46 | 15 | 56 | 17 | 65 | 18 | - | - |
| 4 mm - 8 mm | 61 | 14,5 | 71 | 16,5 | 86 | 18 | 100 | 19 | - | - |
| 4 mm - 10 mm | - | - | 102 | 17 | 124 | 19,5 | 144 | 21 | 161 | 23 |